

# **marantz<sup>®</sup>**

Model WB4001T User Guide

Tilt Wall Mount for 42" / 50" Plasma

## Warning Statements

**WARNING:** THE WALL STRUCTURE MUST BE CAPABLE OF SUPPORTING 160 LBS. IF NOT, THE WALL STRUCTURE MUST BE REINFORCED. PROPER INSTALLATION PROCEDURE BY A QUALIFIED SERVICE TECHNICIAN, AS OUTLINED IN THE INSTALLATION INSTRUCTIONS, MUST BE ADHERED TO. FAILURE TO DO SO COULD RESULT IN SERIOUS PERSONAL INJURY, OR EVEN DEATH.

**WARNING:** SAFETY MEASURES MUST BE PRACTICED AT ALL TIMES DURING THE INSTALLATION OF THIS PRODUCT. USE PROPER SAFETY GEAR AND TOOLS FOR THE INSTALLATION PROCEDURE TO PREVENT PERSONAL INJURY.

**WARNING:** PRIOR TO THE INSTALLATION OF THIS PRODUCT, THE INSTALLATION INSTRUCTIONS SHOULD BE READ AND COMPLETELY UNDERSTOOD. THE INSTALLATION INSTRUCTIONS MUST BE READ TO PREVENT PERSONAL INJURY AND PROPERTY DAMAGE. KEEP THESE INSTALLATION INSTRUCTIONS IN AN EASILY ACCESSIBLE LOCATION FOR FUTURE REFERENCE.



Indicates that the power plug is to be disconnected from the power outlet.



Contact Marantz with any questions - (630)-741-0300.



Safety precautions must be taken at all times.



Warning and Caution statements.



Do not install on a structure that is prone to vibration, movement or chance of impact. Failure to do so could result in damage to the flat panel display and/or damage to the mounting surface.



Do not install near heater, fireplace, direct sunlight, air conditioning or any other source of direct heat energy. Failure to do so may result in damage to the flat panel display and could increase the risk of fire.



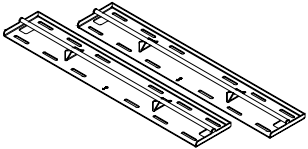
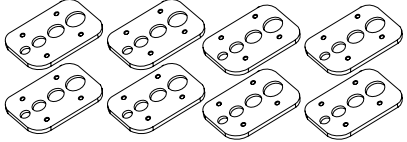
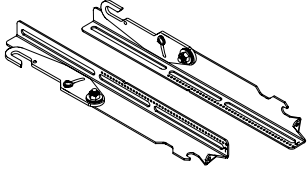
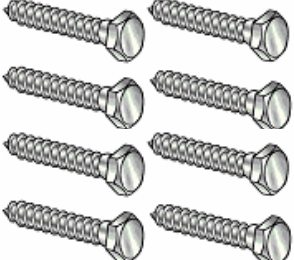

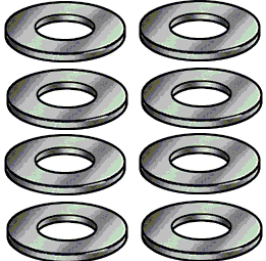
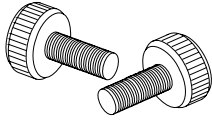
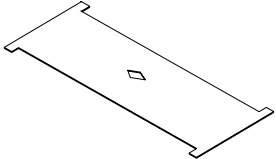
At least two qualified people should perform the installation procedure. Injury and/or damage can result from dropping or mishandling the flat panel display.

## Table of Contents

Warning Statements .....	- 2 -
1.0 PARTS LIST .....	- 4 -
1.1 Installation Tools .....	- 4 -
2.0 FINDING THE CENTER OF THE DISPLAY .....	- 5 -
3.0 POSITIONING THE MOUNTING BRACKETS .....	- 6 -
4.0 SECURING THE MOUNTING BRACKETS .....	- 7 -
5.0 WOODEN STUD LOCATION .....	- 8 -
6.0 MOUNTING POINT LOCATION .....	- 9 -
7.0 SECURING THE WALL PLATES .....	- 10 -
8.0 FLAT PANEL INSTALLATION .....	- 11 -
9.0 LATERAL SHIFT ADJUSTMENT .....	- 11 -
10.0 TECHNICAL SPECIFICATIONS .....	- 12 -

## 1.0 PARTS LIST

**NOTE:** This wall mount is shipped with all proper installation hardware and components. Make sure that none of these parts are missing before beginning installation. If there are parts missing stop the installation and contact Marantz.

<p>Wall plate (Qty 2)</p> 	<p>Griplates™ (Qty 8)</p> 
<p>Mounting brackets (Qty 2)</p> 	<p>5/16" x 3" Lag Bolts (wooden studs only) (Qty 8)</p> 
<p>M4 x 20mm Phillips Head Screws (Qty 8)</p> 	<p>5/16" Flat Washers (Qty 8)</p> 
<p>M6 x 12 Safety knobs (Qty 2)</p> 	<p>Template (Qty 1)</p> 

## 1.1 Installation Tools

Phillips Head Screw Driver  
Tape Measure  
Level (Supplied)

Soft Material/ Blanket  
Drill Gun  
5/16" Socket Wrench

Pencil

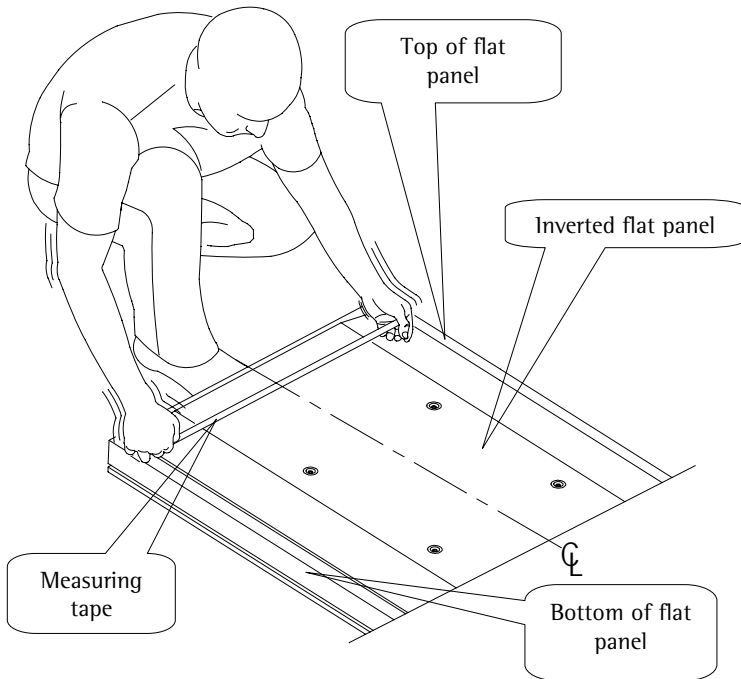
## 2.0 FINDING THE CENTER OF THE DISPLAY

**WARNING:** PROPER INSTALLATION PROCEDURE BY QUALIFIED PERSONNEL AS OUTLINED IN THE INSTALLATION INSTRUCTIONS MUST BE ADHERED TO. FAILURE TO DO SO COULD RESULT IN SERIOUS PERSONAL INJURY AND POSSIBLE DAMAGE TO THE FLAT PANEL.

**WARNING:** INVERT THE FLAT PANEL, PLACE IT ON A SOFT, FLAT SURFACE TO PREVENT DAMAGE TO THE FLAT PANEL. USE A BLANKET, FOAM, ETC. FAILURE TO DO SO WILL RESULT IN DAMAGING THE FLAT PANEL. DO NOT LAY THE FLAT PANEL ON THE FLOOR WITHOUT ANY PROTECTION TO THE GLASS. THE FLAT PANEL IS HEAVY AND FRAGILE. AT LEAST (2) QUALIFIED PERSONNEL ARE STRONGLY RECOMMENDED FOR INSTALLATION OF THIS PRODUCT. FAILURE TO DO SO COULD RESULT IN SERIOUS INJURY AND POSSIBLE DAMAGE TO THE FLAT PANEL.

### Step 1

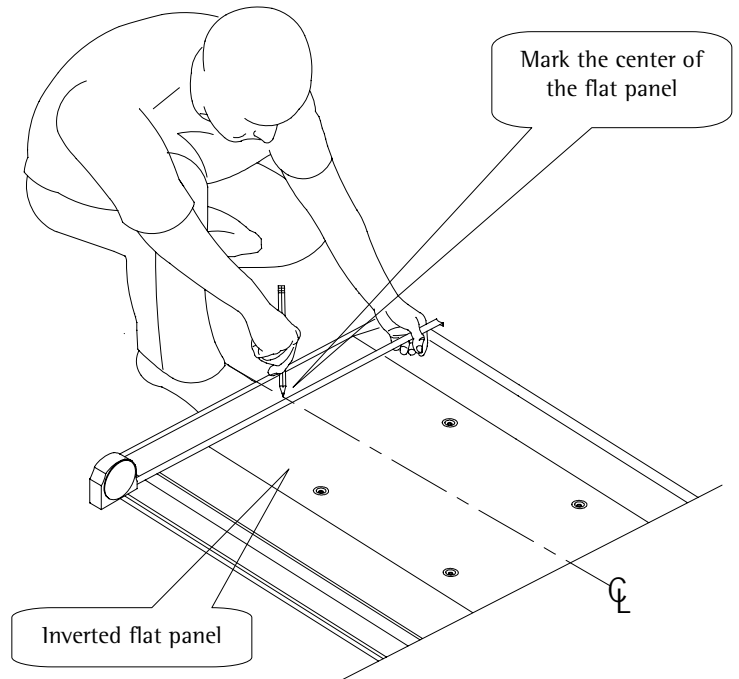
Once the flat panel is inverted, use a measuring tape to find the center of your flat panel measuring from outside to outside of the chassis (Figure 1).



**Figure 1**

### Step 2

Using a pencil lightly mark the center of your flat panel (Figure 2).



**Figure 2**

### 3.0 POSITIONING THE MOUNTING BRACKETS

#### Step 3

Lay the mounting brackets (stamped arrows facing out) Figure 3.

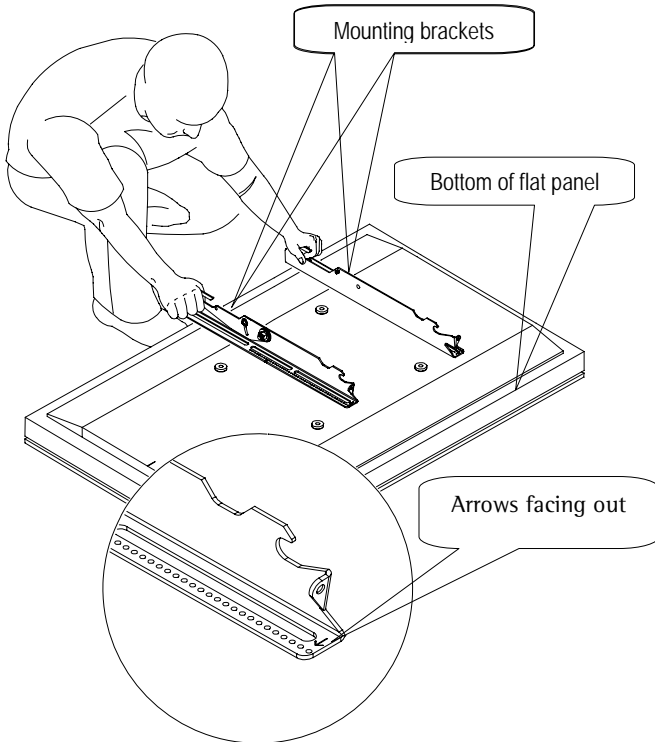


Figure 3

#### Step 4

Match the center of viewing guide with the center line you marked in Step 1 (Figure 4).

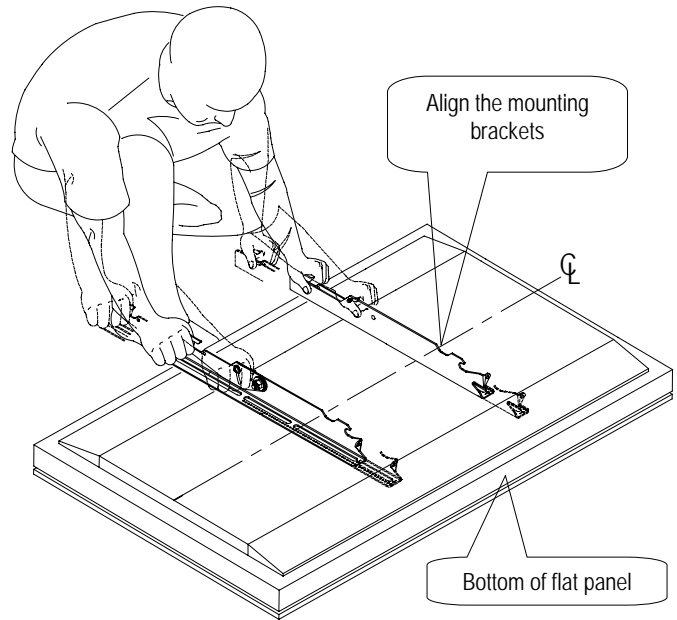


Figure 4

#### Step 5

The mounting brackets are designed with a center of viewing guide on the side of them (Figure 5).

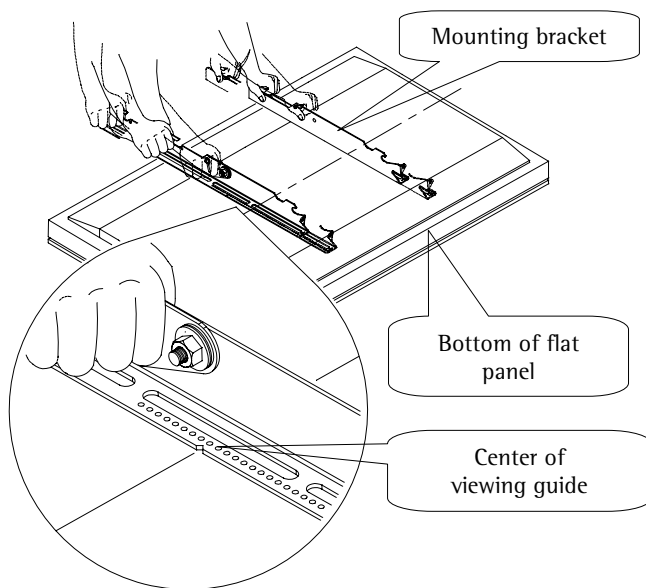


Figure 5

## 4.0 SECURING THE MOUNTING BRACKETS

### Step 6

The Griplates™ have M4, M5, M6 and M8 hole patterns to fit the hardware that your flat panel requires.

**EXAMPLE:** If your plasma uses M8 x 20 Phillip screws. Use the M8 mounting points (Figure 6).

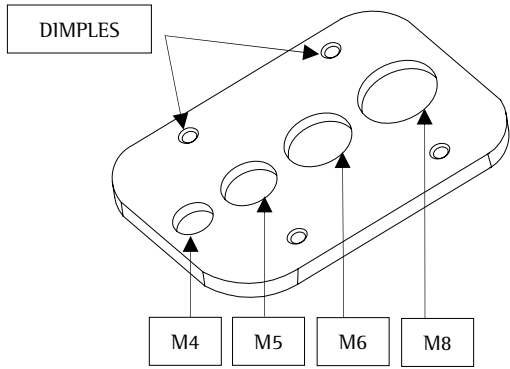


Figure 6

### Step 7

Once the mounting brackets are aligned, secure the Griplate™ to the flat panel.

**NOTE:** The dimples of the top plates have to be facing up and the bottom dimples must be facing down. Use (1) Griplate™ per mounting point (Figure 7).

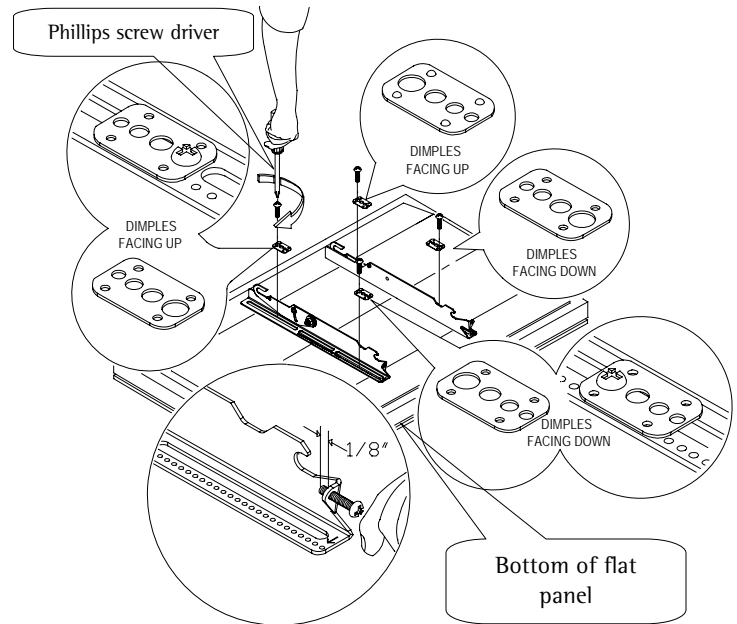


Figure 7

## 5.0 WOODEN STUD LOCATION

### Step 8

Using a (commercially available) wood stud finder, locate the 16" or 24" stud centers behind the wall. Once found, make a pencil marking on the center of the wood studs (Figure 8).

**NOTE:** The wall plates have three 16" and one 24" mounting slot positions.

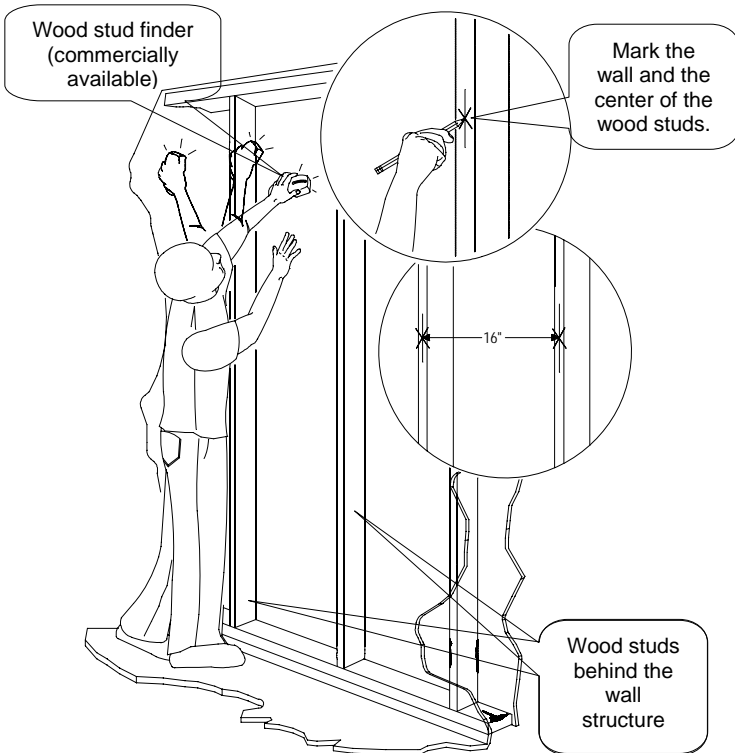


Figure 8

### Step 9

Align the center viewing port from the carton template to the center of the wood studs horizontally. Match the center of viewing port to the center of viewing height desired and mark a line on the bottom of the carton template (Figure 9).

**NOTE:** This marking will reference the center of your flat panel display once mounted on the wall (Figure 9).

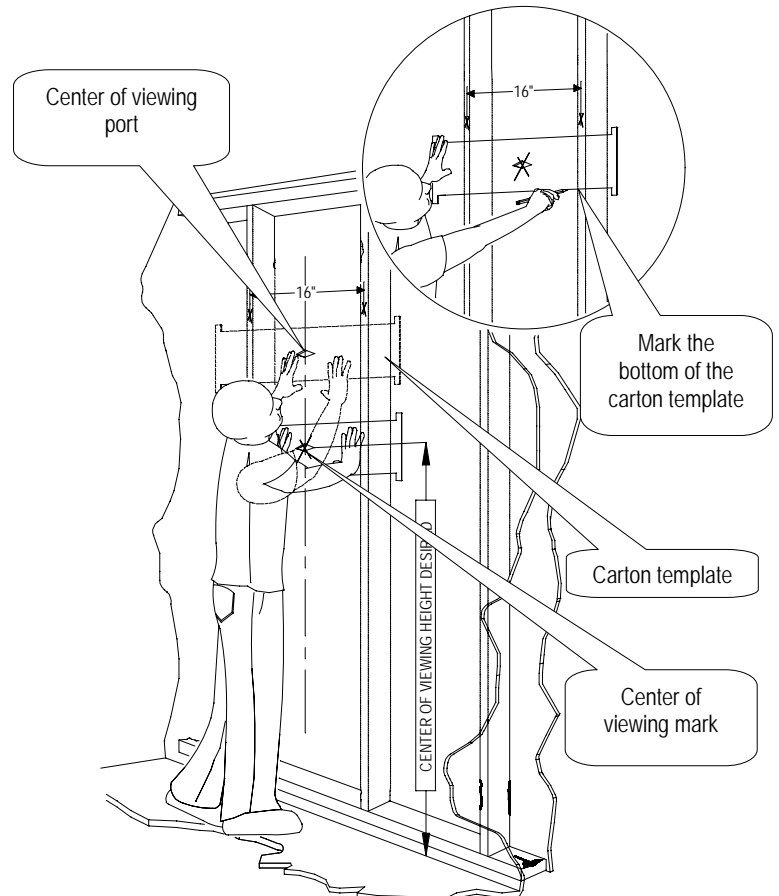


Figure 9



## 6.0 MOUNTING POINT LOCATION

### Step 10

Place the bottom portion of the wall plate to the reference line and mark the four (4) lag bolt mounting points through the wall plate slots on the wall. Level the wall plate with the reference arrow pointing up to the ceiling (Figure 10).

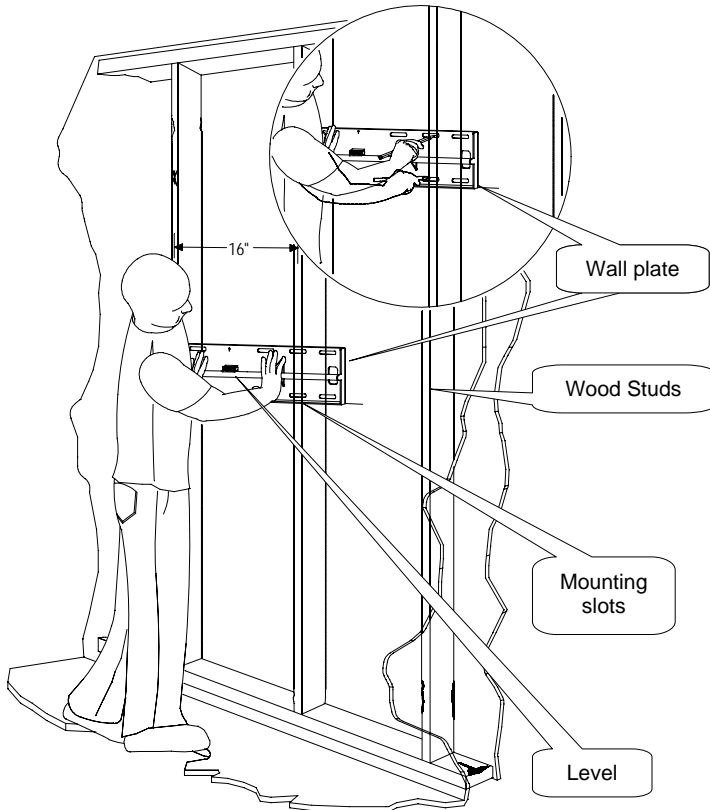


Figure 10

### Step 11

**Wood Studs:** Drill four (4)  $\frac{1}{4}$ " pilot holes to the marked wall.

**Concrete Wall:** Drill four (4)  $\frac{3}{8}$ " pilot holes to the marked wall. See Figure 11.

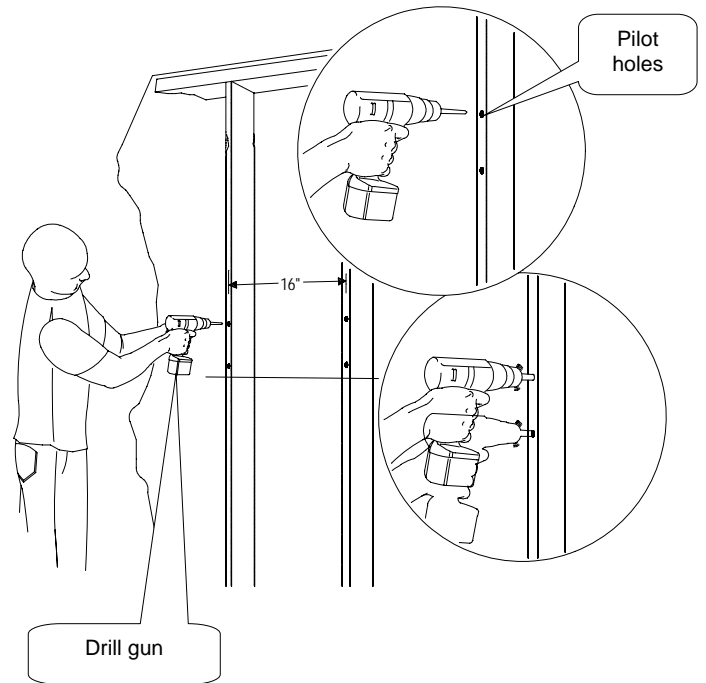


Figure 11

## 7.0 SECURING THE WALL PLATES

### Step 12 – Wooden Studs

Level and secure the plate to the wall with the reference arrow facing up to the ceiling. Secure the plate using the four (4) 5/16" lag bolts and flat washers (Figure 12).

**NOTE:** Use a minimum diameter of 5/16" x 3" long wood screws.

**CAUTION:** Do not over tighten the lag bolts.

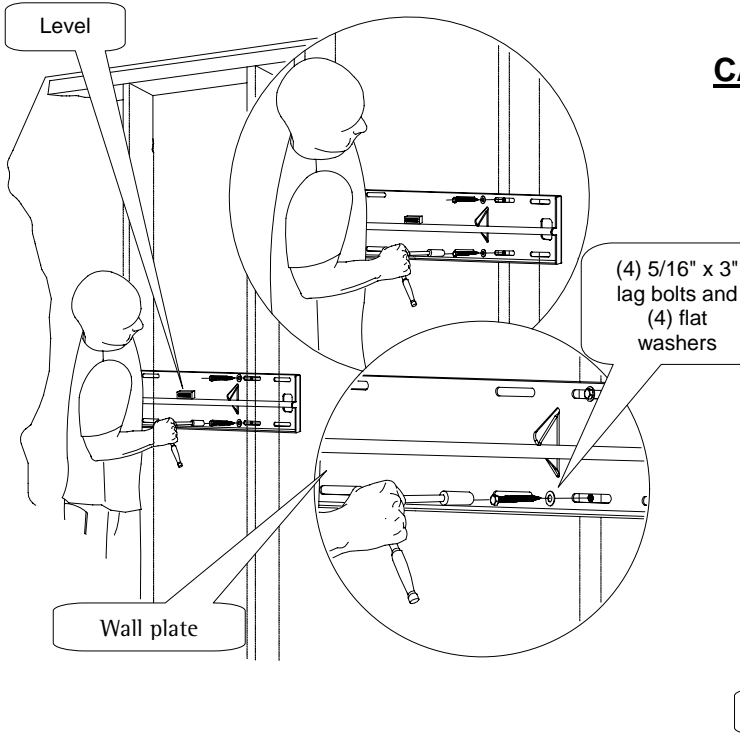


Figure 12

### Step 13 - Concrete

Level and secure the plate to the wall with the reference arrow facing up to the ceiling. Use a minimum diameter of 5/16" x 2 1/4" lag concrete wedge anchors (commercially available). See Figure 13.

**NOTE:** Use a minimum diameter of 5/16" x 2 1/4" long wedge anchors commercially available).

**CAUTION:** Do not over tighten the wedge anchors bolts.

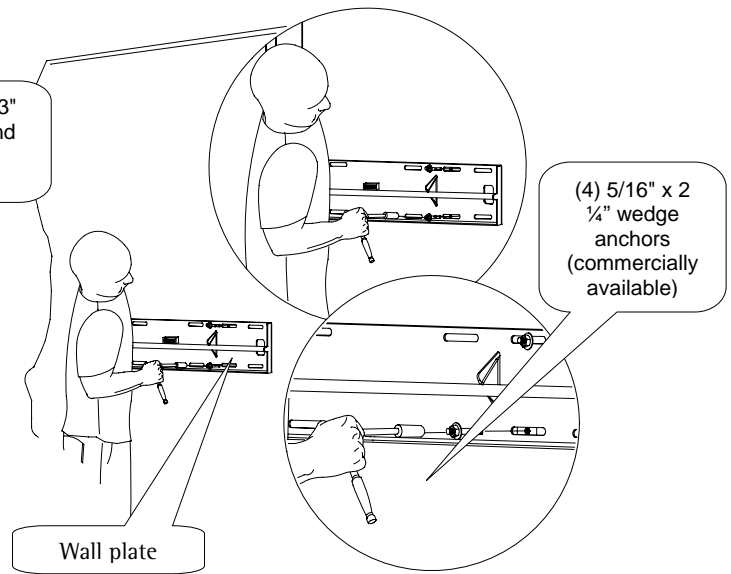


Figure 13

## 8.0 FLAT PANEL INSTALLATION

### Step 15

**WARNING:** AT LEAST (2) QUALIFIED PERSONNEL ARE STRONGLY RECOMMENDED FOR INSTALLATION OF THIS PRODUCT. FAILURE TO DO SO COULD RESULT IN SERIOUS INJURY AND POSSIBLE DAMAGE TO THE FLAT PANEL

Raise the flat panel with the mounting brackets secured to the flat panel and insert the top and bottom hooks from each bracket to the rods from the wall plates (Figure 15).

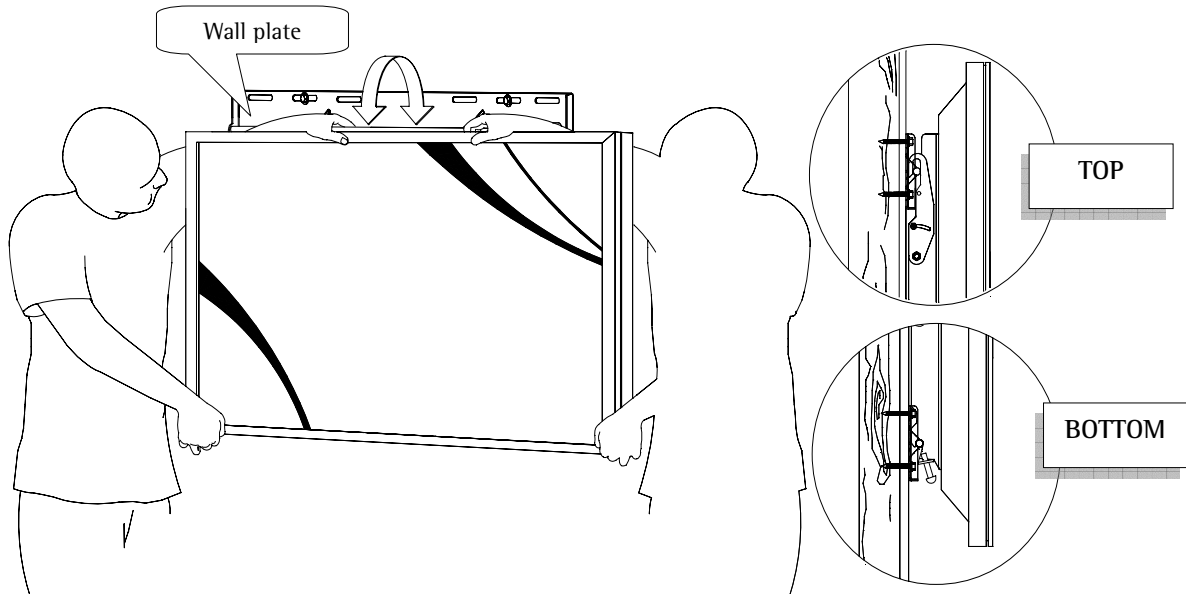


Figure 15

## 9.0 LATERAL SHIFT ADJUSTMENT

### Step 16

Make any lateral shift adjustment and lock it by tightening the two (2) M6 x 30 (mm) Phillips screws found on the bottom of the mounting brackets.

**CAUTION:** Do not over tighten the M6 screws to the rods (Figure 16).

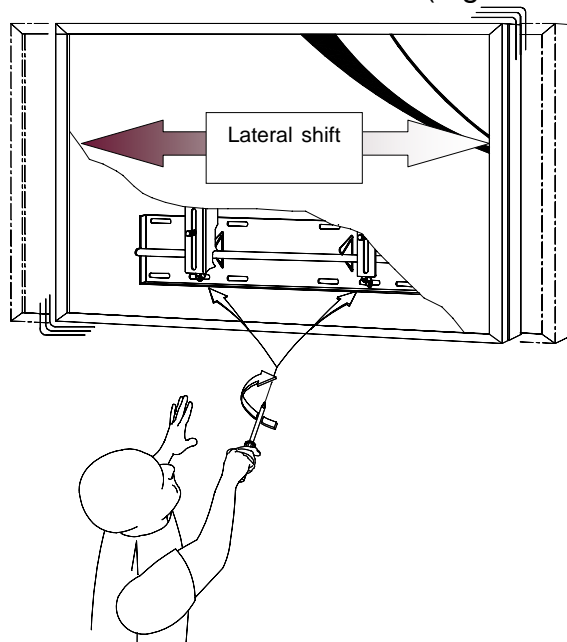
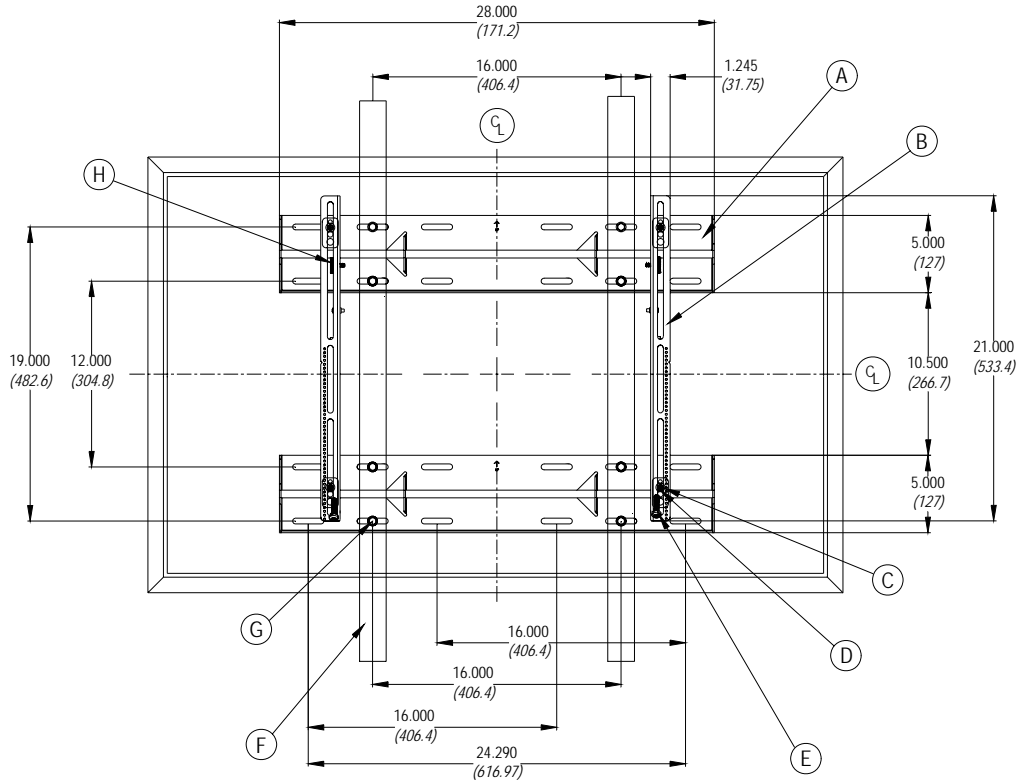


Figure 16

# 10.0 TECHNICAL SPECIFICATIONS

Dimensions are in Inches and (mm)

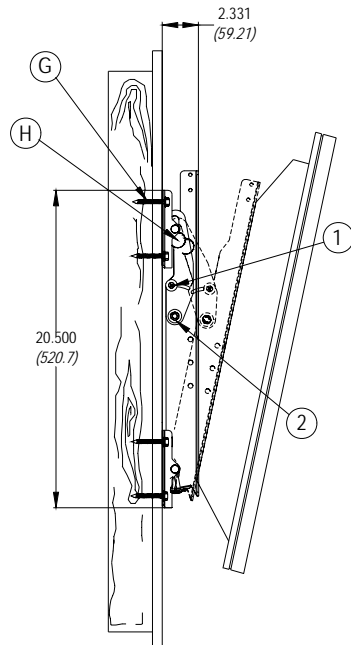


- A. Wall plates
- B. Mounting brackets
- C. Griplate™
- D. Mounting hardware
- E. M6 x 30 (mm) Phillip screws
- F. Wood stud
- G. 5/16" x 3" Lag screws and flat washers
- H. Safety knobs

**FINE TUNE TILT ADJUSTMENTS**

1. M5 Phillips screws for fine tension
2. M8 Hex nut coarse tension

**NOTE:** The 8 (mm) hex nut is for your coarse tension adjustment and the 5 (mm) screws are for your fine tension adjustment.



**Figure 17**

**[www.marantz.com](http://www.marantz.com)**

You can find your nearest authorized distributor or dealer on our website.

---

**U.S.A.**      Marantz America, Inc.      1100 Maplewood Drive, Itasca, IL 60143, U.S.A.

---

**marantz**<sup>®</sup> is a registered trademark.